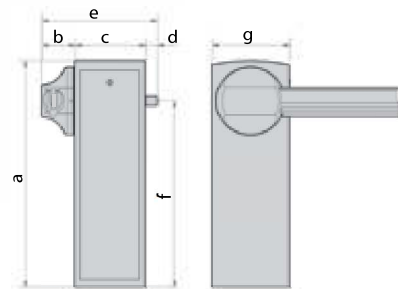
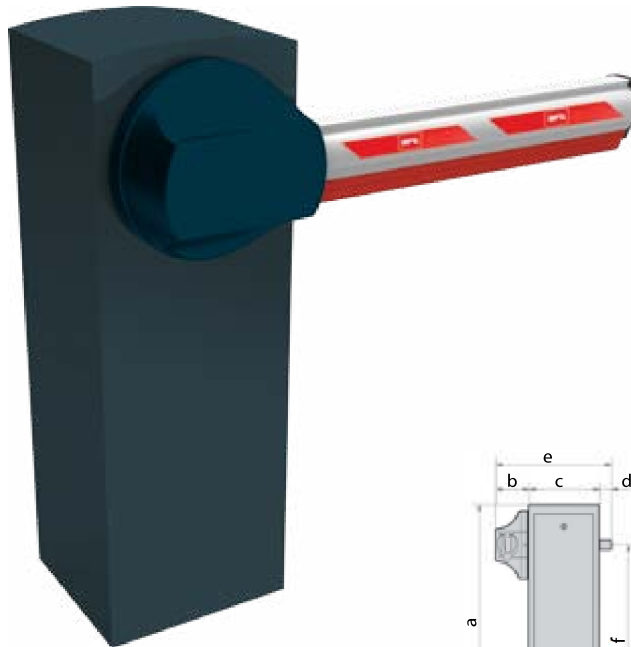


# Maxima

- 230v AC electromechanical barrier for intensive use for passages from 1,7 m to 8m, suitable for installation in large parking areas.
- Self-supporting structure in powder coated cataphoresis treated steel with self-cooled oil bath gearmotor housed inside.
- Smooth bar movement thanks to the rod/crank transmission mechanism. Incorporated boom holder, installation template (as optional) and control unit.



	a	b	c	d	e	f	g
<b>MAXIMA 30</b>	1110	120	320	40	480	950	280
<b>MAXIMA 60 / MAXIMA 80</b>	1155	170	360	60	590	950	400

## TECHNICAL CHARACTERISTICS

	<b>MAXIMA 30</b>	<b>MAXIMA 60</b>	<b>MAXIMA 80</b>
Useful passage	from 1.7 to 3 m	from 4 to 6.4 m	from 6.5 to 8 m
Opening or closing time	1.7 sec.	8sec.	8sec.
Control unit	CSB-BR		
Motor type	single phase		
Frequency of use	10000 Op/day	2000 Op/day	2000 Op/day
MCBF (Mean Cycles Between failures)	5000000 Op	1250000 Op	1250000 Op
Motor power supply	230V		
Slowdown	opening and closing		
Impact reaction	electronic magnetic reverser		
Locking	mechanical		
Release	inside the structure		
Environmental conditions	from -30°C to 60°C		