



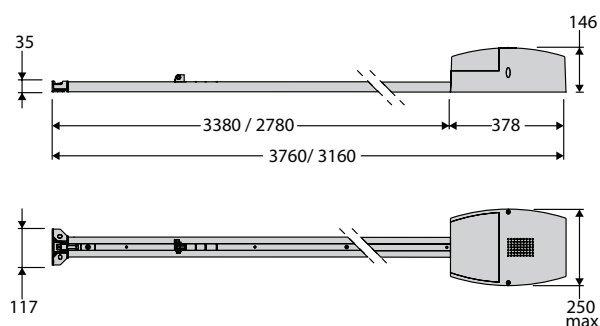
BOTTICELLI / EOS120



	Code	Name	Description	
	P915194 00002	BOTTICELLI	Operator for sectional garage doors with tractive force 60kg and intensive use. Door surface area 10m ² . Opening speed 5m/min	 d-track
	P915201 00002	BOTTICELLI B CRC 480 D01	Operator for sectional garage doors with tractive force 80kg and intensive use. Door surface area 13m ² . Opening speed 5m/min.	 d-track
	P915195 00002	EOS 120	Operator for sectional garage doors with tractive force 120kg and very intensive use. Door surface area 16m ² . Opening speed 4.5m/min	 d-track

	BOTTICELLI	BOTTICELLI B CRC 480 D01 EOS 120
Control unit	VENERE	VENERE D
Motor power supply	24V	24V
Type of limit switch	encoder + mechanical stop for opening	encoder + mechanical stop for opening
Slowdown	yes	yes
Impact reaction	d-track	d-track
Locking	mechanical	mechanical
Release	cord or steel cable	cord or steel cable
Environmental conditions	from -15°C to 60°C	

Dimensions



VENERE D



VENERE D

- Application: control unit for 1 24V garage door operator
- Board power supply: 230V single-phase
- Operator power supply: 24V 100W
- Main features: programming with display, incorporated dual channel receiver, D-Track anti-crushing system, slowdown during opening and closing
- Main functions: automatic re-closing, automatic torque control

Accessories

	Code	Name	Description
	P115010 00003	EOS 120 BIN CHAINE 2X 1450	rail à chaîne en 2 parties
	P115010 00004	EOS 120 BIN CHAINE 2X 1750	
	N190104	BIR C	Rubber safety edge (H 30 mm), price per m
	P111401 00001	VENTIMIGLIA NS	Infrared device for BIR C or BAR C safety edges (conforms to EN 12978 Standard)
	D111904	MITTO B RCBO2 R1	Transmitter with channels. Range . Power supply with 1 battery type 23A
	P121016	RB	4-channel wall-mounted radio control with rolling code
	P121024	Q.BO TOUCH	Wireless digital touch button panel 433Mhz rolling code.
	P121022	Q.BO KEY WM	Key selector for outdoor use with double contact.