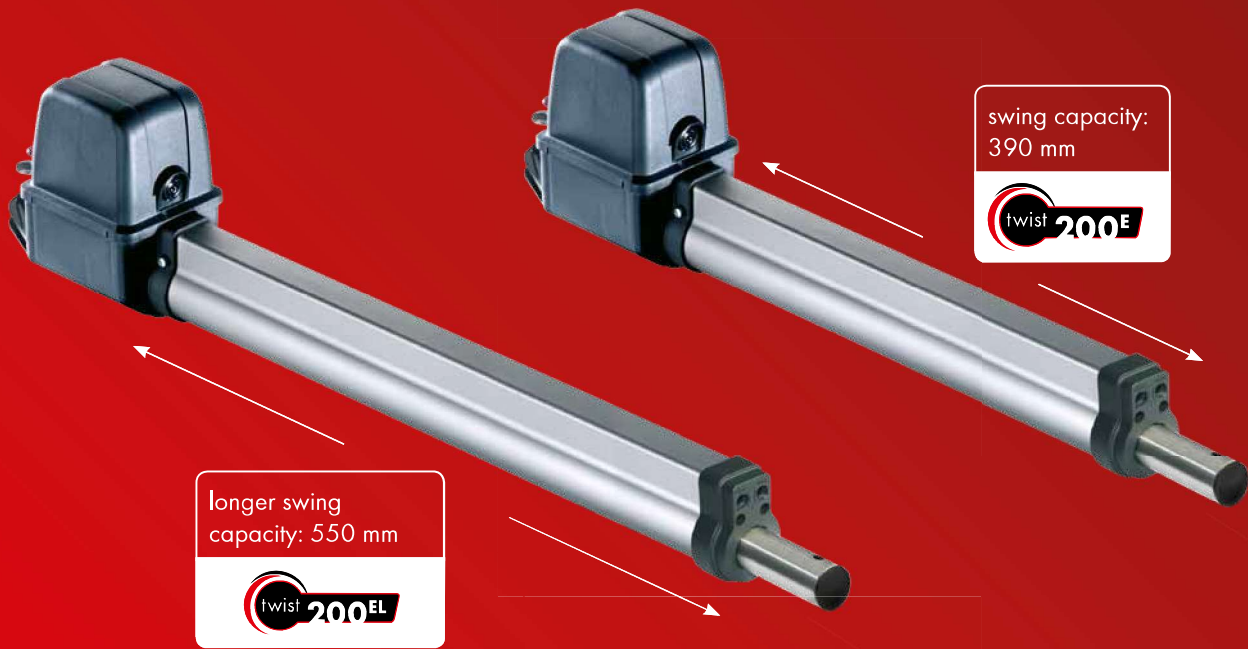




The high-capacity swing gate operators for gates up to 2.5 m width per leaf



Advantages of the longer swing capacity of twist 200 EL:

- operator can be now also installed at very big posts, even if the post is laid-bricks
- operator can be installed steeper to the gate
- up to 130° opening angle
- when installing this self-locking operator at a greater angle to the gate leaf, better stability and more strength is achieved





The high-capacity swing gate operators for gates up to 2.5 m width per leaf

Flexible:

- ▶ universally suitable for gates opening to the left and right
- ▶ 1- and 2-leaf operations possible as well as mixed operations with twist 350 and twist XL¹⁾
- ▶ also for gates which open to the outside
- ▶ adjustable brackets (can be screwed or welded as required)
- ▶ microprocessor control board with a range of setting options, such as pedestrian door function, automatic closing of gate, adjustable early warning time, adjustable functions when obstacle is encountered while door is closing (either total or partial gate reversal)
- ▶ interface for TorMinal programming device
- ▶ quick installation and easy electrical connection

Secure:

- ▶ self-locking without any electrical lock
- ▶ accident prevention with continuous electronically controlled force measurement ("DPS - Dynamic Power System")
- ▶ operator can be engaged and disengaged in any position (e.g. in case of power failure)
- ▶ connections for safety facilities such as warning light and 4-wire light barrier (photo cell), as well as for an external consumer (DC 24 V), floating relay output

Innovative:

- ▶ compact design
- ▶ regulated soft run, without power loss
- ▶ smooth operation



Secure and convenient emergency release system



Electronic limit switches with Reed contacts provide for a precise travel limitation

Last updated: 10/2013. Literal errors, errors and technical changes excepted.

1) twist 200 E/EL operators and twist 350/XL control units can only be operated in connection with the conversion kit "twist XS" (item no. 3248V000).
2) with a max. width of 1.5 m per leaf. 3) with a max. weight of 200 kg per leaf.

Technical data:

Weight per leaf	max. 300 kg ²⁾
Width per leaf:	max. 2.5 m ³⁾
Travel length:	390 mm (twist 200 E) 550 mm (twist 200 EL)
Power supply:	AC 220 ... 240 V
Motor voltage:	DC 24 V
Nominal frequency:	50/60 Hz
Temperature range:	-30°C / +70°C
Protection class:	operator: IP 44 control unit: IP 65

Included in delivery:



"twist 200 E" set, 1-leaf
(item no. 3216V000)

"twist 200 EL" set, 1-leaf
(item no. 3229V000)

incl. 1 swing gate operator, control board in housing, pluggable radio receiver (FM 868.8 MHz), post and gate leaf bracket, 4-command transmitter (item no. 4020)

"twist 200 E" set, 2-leaf
(item no. 3217V000)

"twist 200 EL" set, 2-leaf
(item no. 3230V000)

incl. 2 swing gate operators, control board in housing, pluggable radio receiver (FM 868.8 MHz), post and gate leaf brackets, 4-command transmitter (item no. 4020)



Did you know?

SOMMER offers you **the proper bracket for almost every kind of installation.** We cover most fields of application, from "hot-dip galvanised" and "stainless steel" to brackets for inclining gates. In the event where we still don't have the one you need we will work with you to find the perfect solution.



Visit our homepage: www.sommer.eu

SOMMER Antriebs- und Funktechnik GmbH
Hans-Boeckler-Str. 21 - 27 • D-73230 Kirchheim/Teck
phone: +49 (0) 70 21 / 80 01-0
fax: +49 (0) 70 21 / 80 01-101
e-mail: info@sommer.eu

